

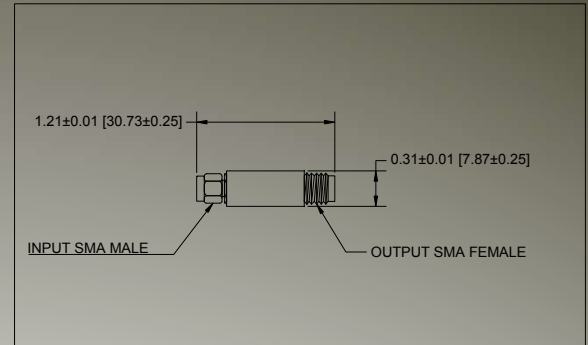
COAXIAL LIMITERS PIN-PIN

Features:

- Internal DC Return
 - Fast Recovery Time
 - Low Insertion Loss
- Dimensions: Inches [mm]
Tolerance: .XXX = ± 0.010
.XX = ± 0.015

ELECTRICAL AND ENVIRONMENTAL SPECIFICATIONS:

- Maximum Power Input: 1W CW
- Recovery Time: 10 to 20nsec TYP
- Limiting threshold above +12dBm TYP & below +20dBm typical output leakage
- Peak Power: 100W (1 μ sec pulse width, 0.1% Duty Cycle)
- Operating Temperature range: -55°C to +90°C
- Storage Temperature Range: -65°C to +125°C
- Shock: 50G's, 11msec
- Vibration: 20G, 100 to 2000Hz



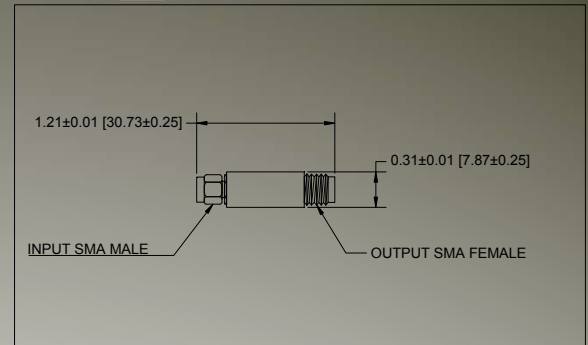
Part Number (See "Ordering Information" for Suffixes)	Frequency Range	Insertion Loss (dB)	VSWR TYP	Maximum Leakage Power (dBm)	
				PEAK	CW
BROAD BAND					
RNPD005-02	0.5 to 2 GHz	0.5	1.4:1	+23	+20
RNPD02-18	2 to 18 GHz	2.5	2.2:1	+23	+19
RNPD06-18	6 to 18 GHz	2.2	2.0:1	+20	+19
RNPD08-18	8 to 18 GHz	2.2	2.0:1	+20	+19

COAXIAL LIMITERS PIN-PIN

Features:

- Internal DC Return
- Fast Recovery Time
- Low Insertion Loss

Dimensions: Inches [mm]
Tolerance: .XXX = ± 0.010
.XX = ± 0.015



ELECTRICAL AND ENVIRONMENTAL SPECIFICATIONS:

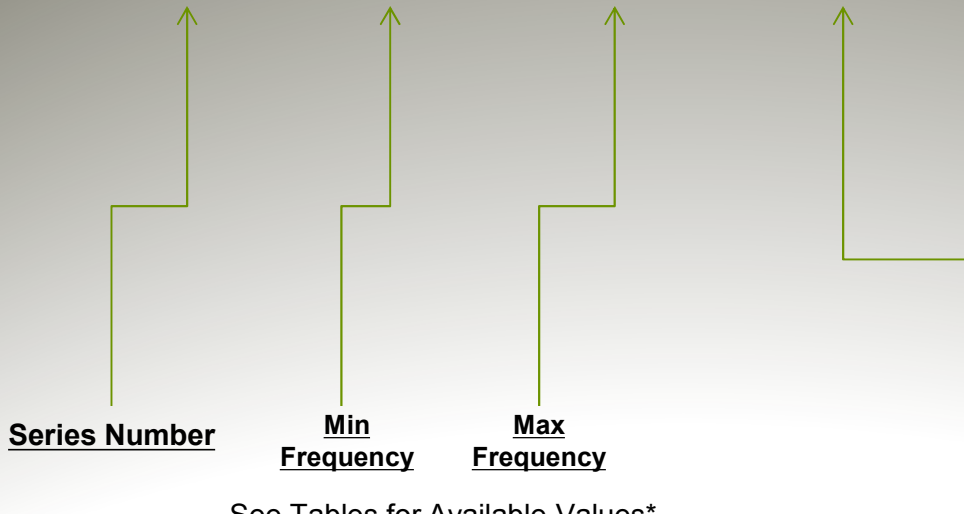
- Maximum Power Input: 1W CW
- Recovery Time: 10 to 20nsec TYP
- Limiting threshold above +12dBm TYP & below +20dBm typical output leakage
- Peak Power: 100W (1 μ sec pulse width, 0.1% Duty Cycle)
- Operating Temperature range: -55°C to +90°C
- Storage Temperature Range: -65°C to +125°C
- Shock: 50G's, 11msec
- Vibration: 20G, 100 to 2000Hz

Part Number (See "Ordering Information" for Suffixes)	Frequency Range	Insertion Loss (dB)	VSWR TYP	Maximum Leakage Power (dBm)	
				PEAK	CW
OCTAVE BAND					
RNPD01-02	1 to 2 GHz	0.4	1.4:1	+23	+19
RNPD02-04	2 to 4 GHz	0.8	1.5:1	+23	+18.5
RNPD02-08	2 to 8 GHz	1.2	1.6:1	+20	+18.5
RNPD03-05	2.5 to 5 GHz	0.8	1.5:1	+23	+18.5
RNPD04-08	4 to 8 GHz	1.2	1.5:1	+20	+18
RNPD05-10	5 to 10 GHz	1.4	1.5:1	+20	+18
RNPD07-12	7 to 12 GHz	1.5	1.8:1	+20	+18
RNPD08-12	8 to 12 GHz	1.5	1.8:1	+20	+18
RNPD08-16	8 to 16 GHz	2.0	2.0:1	+20	+18
RNPD11-18	11 to 18 GHz	2.2	2.2:1	+20	+18

COAXIAL LIMITERS PIN-PIN

Ordering Information:

Example: **RNPD 02 - 18 F**



See Tables for Available Values*

*0.5 GHz = 005

2.5 GHz = 03

Gender I/O:

F: Female Input / Male Output

(No Indicator for Standard Male Input / Female Output)

COAXIAL LIMITERS PIN-SCHOTTKY

Features:

- Internal DC Block
- High Power
- Low Insertion Loss

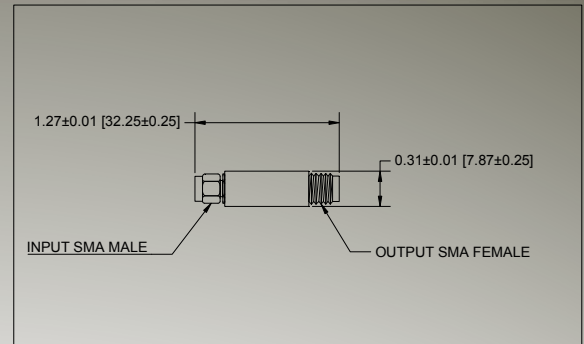
Dimensions: Inches [mm]

Tolerance: .XXX = ±0.010

.XX = ±0.015

ELECTRICAL SPECIFICATIONS UNIVERSAL:

- Maximum Power Input: 1W CW
- Recovery Time: 200µsec TYP
- Limiting Threshold above +4dBm TYP, Low output leakage
- Operating Temperature range: -55°C to +90°C
- Storage Temperature Range: -65°C to +125°C
- Shock: 50G's, 11msec
- Vibration: 20G, 100 to 2000Hz



Part Number (See "Ordering Information" for Suffixes)	Frequency Range	Insertion Loss (dB)	VSWR TYP	Maximum Leakage Power (dBm)	
				PEAK	CW
BROAD BAND					
RNSD005-02	0.5 to 2 GHz	0.6	1.5:1	+20	+18
RNSD01-04	0.5 to 4 GHz	0.8	1.5:1	+20	+18
RNSD02-18	2 to 18 GHz	2.5	2.2:1	+20	+18
RNSD06-18	6 to 18 GHz	2.5	2.2:1	+19	+15
RNSD08-18	8 to 18 GHz	2.5	2.2:1	+19	+15

COAXIAL LIMITERS PIN-SCHOTTKY

Features:

- Internal DC Block
- High Power
- Low Insertion Loss

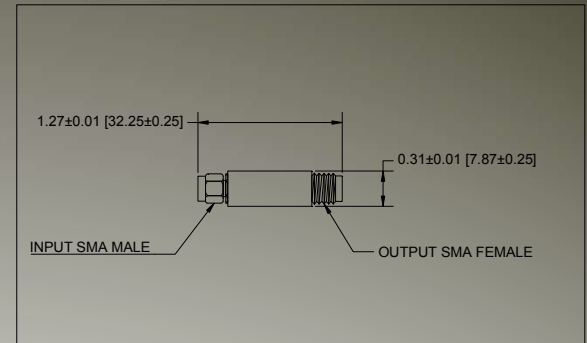
Dimensions: Inches [mm]

Tolerance: .XXX = ± 0.010

.XX = ± 0.015

ELECTRICAL SPECIFICATIONS UNIVERSAL:

- Maximum Power Input: 1W CW
- Recovery Time: 200 μ sec TYP
- Limiting Threshold above +4dBm TYP, Low output leakage
- Operating Temperature range: -55°C to +90°C
- Storage Temperature Range: -65°C to +125°C
- Shock: 50G's, 11msec
- Vibration: 20G, 100 to 2000Hz



Part Number (See "Ordering Information" for Suffixes)	Frequency Range	Insertion Loss (dB)	VSWR TYP	Maximum Leakage Power (dBm) Flatness MAX	
				PEAK	CW
OCTAVE BAND					
RNSD01-01	0.5 to 1 GHz	0.5	1.5:1	+20	+18
RNSD01-02	1 to 2 GHz	0.6	1.5:1	+20	+18
RNSD02-04	2 to 4 GHz	0.8	1.5:1	+20	+18
RNSD02-08	2 to 8 GHz	1.4	1.6:1	+20	+18
RNSD03-05	2.5 to 5 GHz	1.2	1.5:1	+20	+18
RNSD04-08	4 to 8 GHz	1.4	1.6:1	+19	+16
RNSD05-10	5 to 10 GHz	1.6	1.6:1	+19	+16
RNSD07-12	7 to 12 GHz	1.6	1.6:1	+19	+16
RNSD08-12	8 to 12 GHz	1.6	1.6:1	+19	+14
RNSD08-16	8 to 16 GHz	2.2	1.8:1	+19	+14
RNSD11-18	11 to 18 GHz	2.4	2.2:1	+19	+14
NARROW BAND					
RNSD06-07	5.8 to 6.5 GHz	1.0	1.5:1	+18	+16
+16RNSD08-09	7.5 to 8.5 GHz	1.2	1.6:1	+17	+16



5410 115th Ave. North · Clearwater, FL 33760
727.530.9555 PH · 727.535.3508 FX
www.res-netmicrowave.com

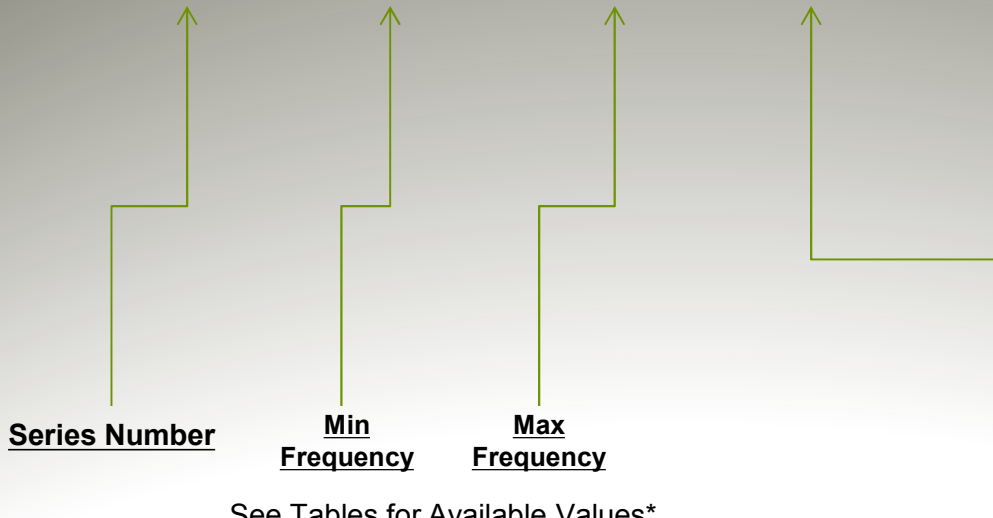
REV. A
10/6/15



COAXIAL LIMITERS PIN-SCHOTTKY

Ordering Information:

Example: RNSD 02 - 18 F



See Tables for Available Values*

- *0.5 GHz = 01
- 2.5 GHz = 03
- 5.8 = 06
- 6.5 = 07
- 7.5 = 08
- 8.5 = 09

Gender I/O:

F: Female Input / Male Output
(No Indicator for Standard Male Input / Female Output)